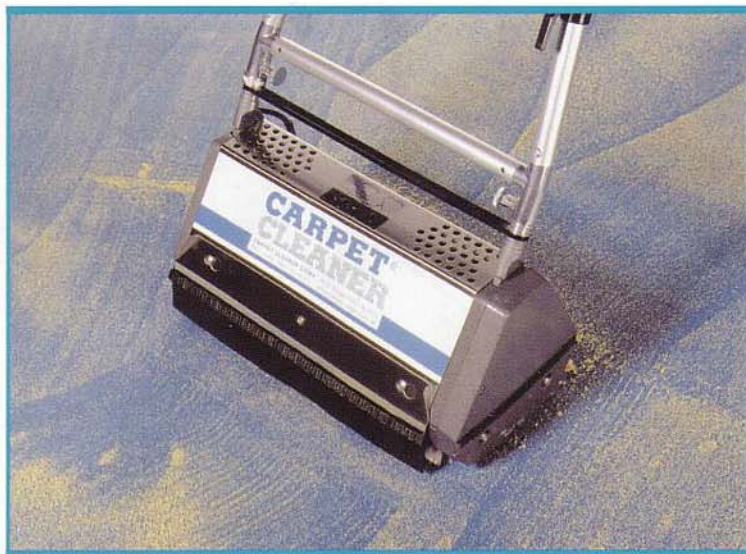


# CARPET CLEANER

## The dry carpet cleaning system

**We have the method,  
you have a clean carpet**



Available in 3 sizes as TM 3,4,5

TM-3  
9.843" wide  
26.46 lb. weight  
Cleaning capacity: 330 - 400 Sqft./hr.\*

TM-4  
14.96" wide  
42.33 lb. weight  
Cleaning capacity: 600 - 800 Sqft./hr.\*

TM-5  
19.28" wide  
46.96 lb. weight  
Cleaning capacity: 700 - 1,000 Sqft./hr.\*

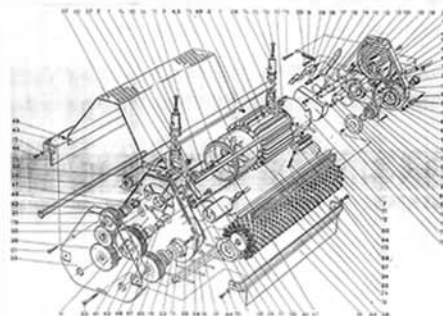
\* based on heavily soiled areas

## There are many reasons to clean with **CARPET CLEANER**

All Brush & Clean machines are gear driven with a series of nylon gears. Motors are brushless induction and 110volts/60hertz and protected by a 10 amp circuit breaker. Power cords are 14-3 gauge and 50 feet long. The machine's bodies are die cast aluminum. Each machine comes with a set of standard brushes however, other brushes are available to fit any application.

### **Technical Details: TM3 - TM4 - TM5**

Motor:	440W	1/2 hp/800W
Power Cord:	4'	16AWG with ground
Cord Length:	50'	14AWG extension cord
Brush Speed:	400rpm	- 480rpm
Weight:	26.46lb	- 42.33lb - 46.96lb
Height:	9.05"	8 1/2"
Overall width:	9.21"	9 1/4"
Cleaning width:	10"	15" 20"



*with natural power*